



FITZER Bi-Metal Temperature Gauges are economical, rugged, reliable temperature measuring instruments. Gauges have helically wound coil at selected materials, which are properly heated, treated and coated with a viscous silicon for long term stability to minimize pointer oscillation and improve a temperature transmission.

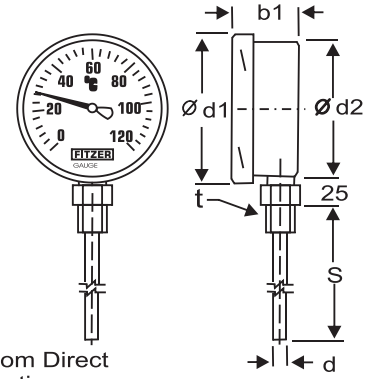
SPECIFICATIONS :

Dial Size	65mm, 100mm, 115 mm & 150mm
Case & Bezel	SS 304 Snap Action Bayonet Type
Window	Plain / Toughened, Shatter Proof Glass.
Temp. Element	Wounded Coil of Bi-metal
Stem	ANSI SS 316 / SS 316 L / Brass
Stem Dia	6mm, 8mm, 10mm & 12mm.
Stem length	100mm to 1000 mm
Pointer	Aluminum / Brass Black Painted
Process Connection	½" NPT / BSP Adjustable
Mounting	Bottom Back & Every Angle
Range	0-50 To 500° C, -50 To 500° C & other Compound Ranges in °F Scale on request
Accuracy	±2% of Full Scale

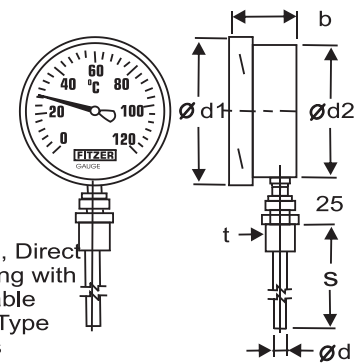
Optional Accessories

- Thermowells
- Dual Scale

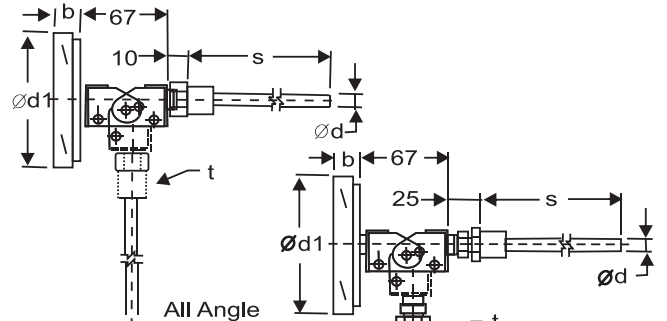
DIAL SIZE	ØD	ØD1	ØD2	S
63mm	10	68.5	61.5	300
100mm	10	109	98.5	300
115mm	10	126.5	114.5	300
150mm	10	166	151	300



TG - B 200 Bottom Direct Mounting

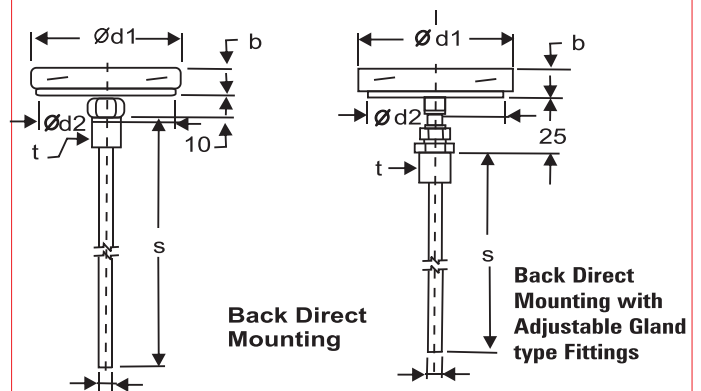


TG - B 201 Bottom, Direct Mounting with adjustable Gland Type Fittings



TG - B 205 All Angle

TG - B 204 All Angle with Adjustable Gland Type Fittings



TG - B 202 Back Direct Mounting

TG - B 203 Back Direct Mounting with Adjustable Gland type Fittings